

LOOK



PRODUCT CARD

WOODLAND

BY LOOK INDUSTRIES

BASIC INFO

PRODUCT NAME WOODLAND	PRODUCT CATEGORY SCREENS
LAUNCHED 2014	DESIGN BY IVAR GESTRANIUS & KEVIN LAHTINEN

DESCRIPTION

Woodland is a freestanding space divider with excellent sound-absorbing features. This playful screen provides visual protection while improving the acoustics and functionality of a public space. Woodland is available in two different heights and is ideal for creating secluded privacy areas in lounges, offices and public spaces.



WWW.LOOKINDUSTRIES.COM

Look Industries Ltd. | Kroggårdintie 29 C | 10300 Karjaa | FINLAND | Tel. +358 (0) 40 169 3001 | info@lookindustries.com | VAT No FI23046423

SPECS / MATERIALS

Screen with polyester core upholstered in fabric. Metal base lacquered in RAL 9004 Effect (signal black) or RAL 9003 Effect (signal white). Polyester core always in same color as base (black or white). The screen is available in 100% wool fabrics only due to the manufacturing method. Gabriel - Soul, Gabriel - Soul Melange, Gabriel - Focus Melange, Camira - Blazer, Kvadrat - Divina 3, Kvadrat - Divina Melange and Kvadrat - Divina MD are a few examples of wool fabrics proven suitable for this product. Please contact our customer service for more fabric suggestions.

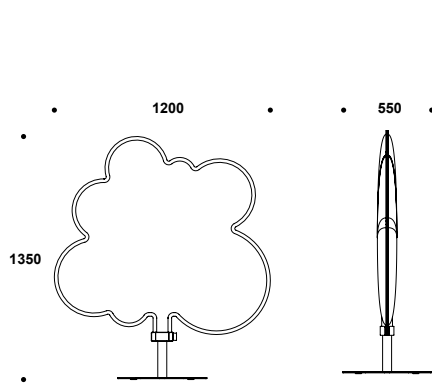


This product has **FABRIC RESTRICTIONS**. Some fabrics may not be suitable for this product, or the fabric might be standardized. Contact our customer service for more info.

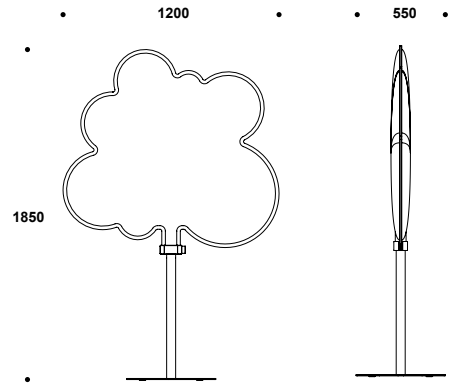
SCREEN	Ecopoly - 100% polyester fiber core Steel Fabric
BASE	Lacquered steel Connecting clamp in lacquered aluminum Logo label in silicone
GLIDERS	Injection moulded Polyethylene PE 100

For further information about **COLORS** and material options, please check the **COLORS & FINISHES** document which can be downloaded from the downloads section on our website at www.lookindustries.com. For further information about **FABRICS**, check the **FABRIC LIST** document in the same downloads section. Here you will also find **CARE INSTRUCTIONS**.

DIMENSIONS



102L
WOODLAND LOW



102H
WOODLAND HIGH

PRODUCT WEIGHT LOW



15 KG

PRODUCT WEIGHT HEIGH



16 KG

VERSIONS / ADD-ONS

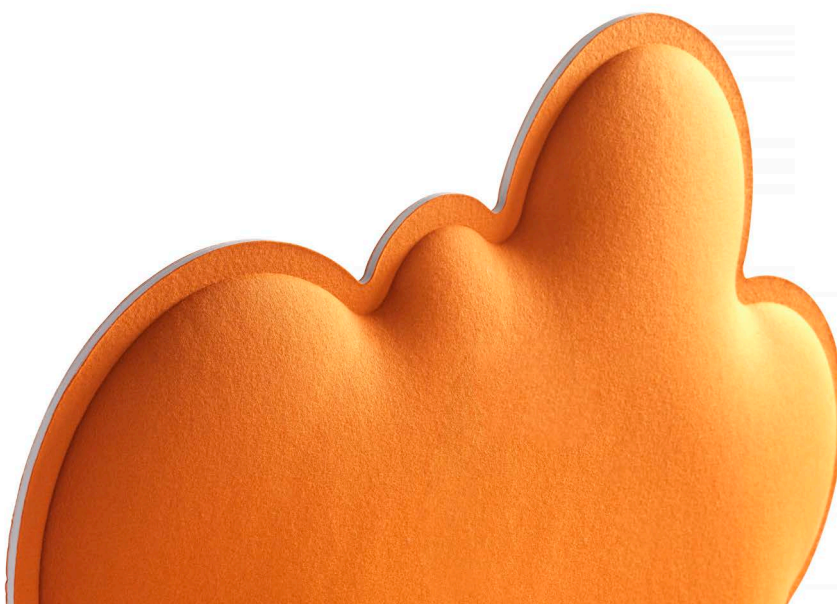
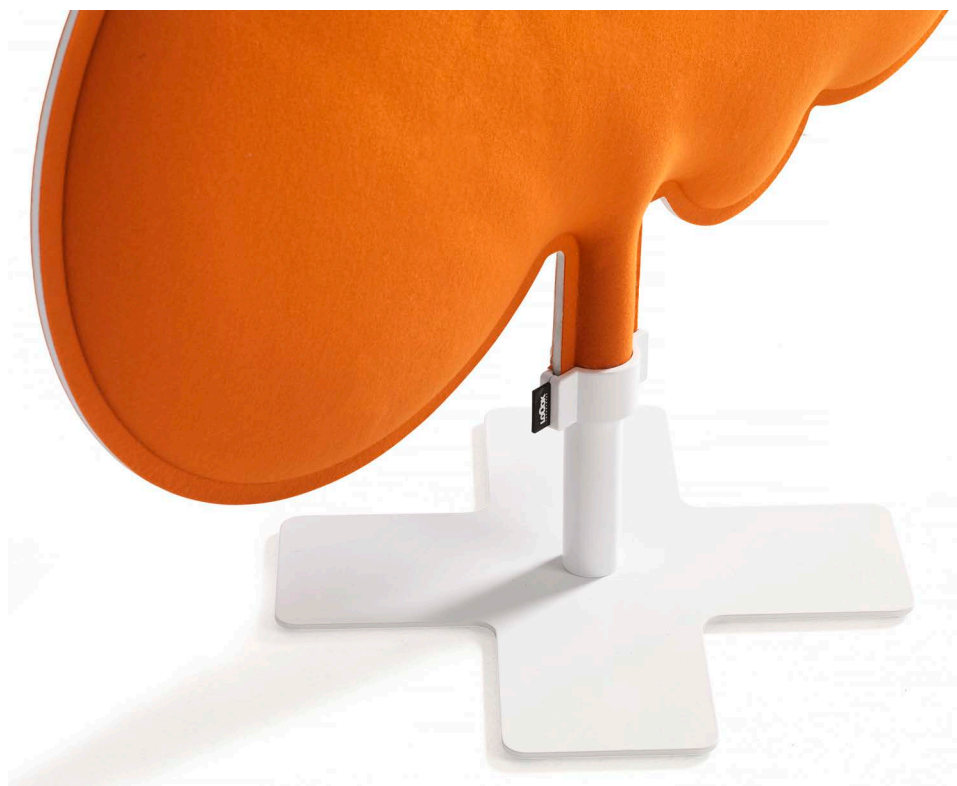


102L
WOODLAND LOW



102H
WOODLAND HIGH

PRODUCT IMAGES



WWW.LOOKINDUSTRIES.COM

Look Industries Ltd. | Kroggårdintie 29 C | 10300 Karjaa | FINLAND | Tel. +358 (0) 40 169 3001 | info@lookindustries.com | VAT No FI23046423