

LoOok



PRODUCT CARD

NEURON ACTIVATION POD

BY LOOOK INDUSTRIES

BASIC INFO

PRODUCT NAME NEURON ACTIVATION POD	PRODUCT CATEGORY PODS
LAUNCHED 2022	DESIGN BY IVAR GESTRANIUS & KEVIN LAHTINEN

DESCRIPTION

Neuron Activation Pod is actually some next level sci-fi stuff. Equipped with groundbreaking Finnish health technology, this pod is a giant leap towards the office of the future. This is not only a silent capsule or a traditional sleep pod.

The Neuron Activation Pod transmits very low frequency vibrations in the body. The technology promotes the body's natural healing abilities, especially through the quality and power of sleep. The technology mechanically guides the user into a meditation-like state. The vibration directly affects the autonomic nervous system, so the mind does not have to make an effort to relax. The mechanisms of the nervous system are activated, and stress-related symptoms, such as anxiety, sleep disorders and, according to customer experiences, also pain are relieved. The preventive effect takes care of you every day.

Different effects are achieved in different power ranges. Vibration helps an athlete or an individual experiencing work-related stress to recover faster, and activation programmes prepare the body for future performance by increasing alertness.

The relaxation treatment is suitable for all ages and is safe to use. For instance, pacemakers, pain stimulators, and artificial metal joints do not prevent the use of Neuron Activation Pod.



WWW.LOOKINDUSTRIES.COM

Look Industries Ltd. | Kroggårdintie 29 C | 10300 Karjaa | FINLAND | Tel. +358 (0) 40 169 3001 | info@lookindustries.com | VAT No FI23046423

SPECS / MATERIALS

Fully upholstered. Black castors as standard. Delivered with integrated technology, integrated touch screen and headphones. Product delivered with 1,5m cable. Headrest and footrest in black leather as standard. Removable and changeable cushions and headrest.

Please keep in mind that this product is delivered fully assembled. Due to its size, it may not be suitable for locations with narrow door openings, staircases or small elevators. However, it can be disassembled into three smaller modules. Remember to check the dimensions before ordering this product. Available with an optional, fixed privacy screen.

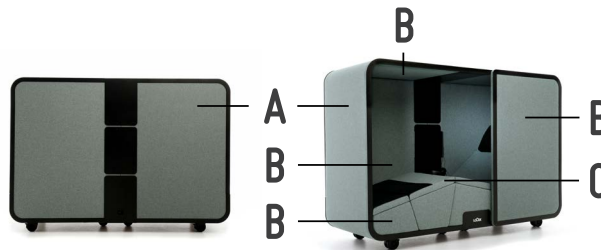


Available with country specific electrical plugs - EU / GB / US



Available with multicolor upholstery. Please check our **FABRIC LIST** or **PRICE LIST** for options.

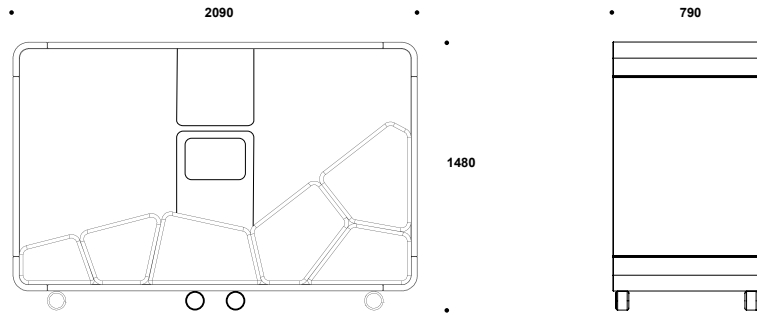
MULTICOLOR UPHOLSTERY



FRAME	Compression moulded birch Plywood High quality Polyurethane foam Steel Fabric
SEAT	Plywood PET felt Fabric
DETAILS	Steel Aluminum
CASTORS	Polyamide Polyurethane Stainless steel

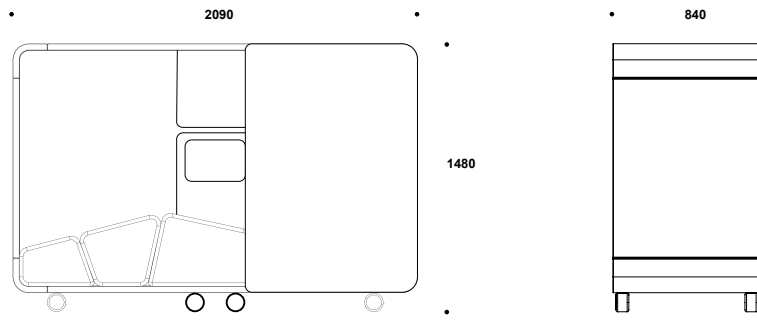
For further information about **COLORS** and material options, please check the **COLORS & FINISHES** document which can be downloaded from the downloads section on our website at www.lookindustries.com. For further information about **FABRICS**, check the **FABRIC LIST** document in the same downloads section. Here you will also find **CARE INSTRUCTIONS**.

DIMENSIONS



602

NEURON ACTIVATION POD



602/602S

NEURON ACTIVATION POD W/ PRIVACY SCREEN

PRODUCT WEIGHT



181 KG

WEIGHT W/ PRIVACY SCREEN



194 KG

WWW.LOOKINDUSTRIES.COM

Look Industries Ltd. | Kroggårdintie 29 C | 10300 Karjaa | FINLAND | Tel. +358 (0) 40 169 3001 | info@lookindustries.com | VAT No FI23046423

PROGRAMMES

You can use the Neuron Activation Pod's integrated touchscreen to easily select ready 10-40 minute programmes for relaxation, activation or recovery. Take a powernap in the middle of a busy day or choose a relaxation programme for sleep problems or stress. You can use activation programmes to boost your metabolism, increase your alertness, or warm up your muscles. Recovery programmes are ideal after sports or for reducing swelling, for example.

All programmes promote sleep quality and contribute to both physical and mental recovery. The effects are individual, and regular use yields the best results.

10 MINUTE

RELAXATION

The programme relieves muscle tension, headaches, and muscle aches. Suitable for use in the middle of the day due to its refreshing effect. In neurological symptoms, the programme can be used to relieve spasticity effectively. You can take the programme twice in a row to relieve your headache.

20 MINUTE

RELAXATION

Use the programme to relieve muscle pain and muscle tension, especially in the back area. It can also be used as a relaxing full body programme that relieves stress and promotes sleep quality. This is a particularly good programme for neck and shoulder tension and lower back pain.

25 MINUTE

RELAXATION

The programme includes very relaxing stages. Use this programme when you start using the device and whenever you have sleep disorders, as the programme is specifically designed to relieve the symptoms of sleep disorders and stress. You can also use it to relax your muscles.

39 MINUTE

RELAXATION

The programme includes calming/relaxing stages, as well as one massage stage. The effects are similar to those of the 25 minute relaxation programme, but it activates the metabolism more. Very relaxing and also suitable for relieving sleep disorders and muscle relaxation.

12 MINUTE

ACTIVATION

A short relaxation/massage to activate alertness, boost metabolism, and relieve muscle tension, headaches and pain. Suitable for use in the morning or during the day, due to the acute activating effect. We have noticed that the programme helps CFS individuals with alertness and sleep quality. The programme may also promote the sleep quality of healthy individuals.

24 MINUTE

ACTIVATION

The programme is designed to activate the whole body. Frequencies are highest in this programme, so do not use it early in the treatment period if you have sleep disorders, physical stress or anxiety, migraines, epilepsy, or other sensitivities to vibration stimulation. Suitable for actively exercising people for muscle warm up and, for example, neurological rehabilitation, to activate muscle function. Highly activating.

36 MINUTE

RECOVERY

The programme is designed to promote physical and mental recovery. Strongly increases blood and fluid circulation while relaxing muscles. A good programme, for example, for the treatment of pain and swelling, as well as for poor blood circulation. Also promotes sleep quality.

41 MINUTE

RECOVERY

Use the programme to recover and promote sleep quality, for example, after sports later in the evening. A good combination programme, too, for the treatment of sleep disorders, muscle tension, headaches, pain, swelling, and poor peripheral circulation.

TECHNOLOGY 1/2

STRESS

The Neuron Activation Pod increases parasympathetic activity, which promotes overall recovery. According to customer feedback, after starting to use the technology, a stressed person will be able to fall asleep more easily and nocturnal awakenings will be reduced or eliminated completely.

WHAT EFFECTS DOES STRESS HAVE ON OUR BODY?

In a negative and prolonged state of stress, the human body does not function normally. Stress is always a threat, causing a “fight or flight response” in the body. Physiologically, this means overactivation of the HPA axis between the brain and the adrenal cortex. The body constantly produces too much cortisol, which is a neurotransmitter related to survival. Adrenaline levels are also too high.

Physical stress can cause vague and unexplained psychophysical pain, abdominal symptoms, insomnia, and anxiety. Prolonged stress can lead to depression due to changes in neurotransmitters, mental pressure, and worse sleep quality. Usually we experience stress as a mental phenomenon, and we may not think that stress is for the most part a physiological imbalance that affects our bodies. The most important function of the body is to sustain life, and everything that threatens it causes stress reactions in us in an individual way.

VIBRATION HAS SEVERAL EFFECTS IN RELIEVING STRESS

The effect of vibration is easily measurable and can be seen, for example, in decreased heart rate, increased heart rate variability, muscle relaxation, disappearance of headaches, and normalisation of intestinal function.

The treatment leaves you with a “clear mind”, and effectively relaxes you, while the state of alertness improves. Anxiety, restlessness, and tension are relieved, which enhances mental performance. There is now room for different experiences and creativity. The Neuron Activation Pod has been found useful in workplaces, for example. The stress factors may not change, but the treatment will provide you with tools for handling them, and they will no longer wear you out in the same way.

STRESS-RELATED ACHES ARE RELIEVED

Pain may be the result of muscle tension produced by prolonged stress and sleep deprivation, as well as changes in central nervous system activity, tissue circulation, and fluid circulation. It is characteristic of stress-induced pain that no explanatory physiological defect may be found despite examinations.

According to plenty of customer feedback, the technology seems to have a quick effect in a variety of pain conditions. Vibration relaxes muscles, which improves blood circulation and oxygenation, and simultaneously muscle aches and unexplained pains are relieved.

PHYSICAL STRESS SHOULD BE ADDRESSED THROUGH PHYSICAL MEASURES

In order to get rid of physical stress, the imbalance in the body must be affected physiologically. The effect through thinking is a much slower process due to the structures of our brain, primarily the connections between the limbic system and the cerebral cortex with the frontal lobes of the brain. When the body is calmed by external stimulation, a change in thinking about stress factors is much easier.

TECHNOLOGY 2/2

SLEEP

The Neuron Activation Pod has a relaxing effect through the body on the autonomic nervous system and mind. The production of stress hormones is reduced and sleep mechanisms are restored. The individual calms down and falls asleep more easily. Nocturnal awakenings are reduced, and sleep quality improves and becomes more restorative.

STAGES OF DEEP SLEEP AND REM SLEEP INCREASE

According to feedback, the technology increases the duration of the stages of deep sleep, as well as REM sleep, in most cases. Many individuals start to have dreams more often. Approximately 80% of the users benefit from even 1 to 2 treatments for sleep disorders. According to customer feedback, it appears that the vibration also affects the circadian rhythm in the body, so that the restorative stages of sleep occur at the beginning of the night, when they naturally should.

STRESS INTERFERES WITH THE ACTION OF NEUROTRANSMITTERS

Prolonged stress produces too much cortisol, adrenaline, and other neurotransmitters that activate the body. In particular, excessive cortisol production interferes with the function of GABA (gamma Aminobutyric acid), which is the major inhibitory neurotransmitter in the brain and central nervous system. In this case, falling asleep becomes more difficult or impossible.

RESEARCH

HEALTH BENEFITS BASED ON RESEARCH EVIDENCE

Extensive research data supports the positive effects of vibration on metabolism and health, as well as potential uses to reduce the effects of stress, improve sleep quality, and promote overall recovery and health.

NEURON ACTIVATION POD IS NOT A MEDICAL DEVICE

Although there is already a good amount of research evidence and subjective customer experience on the preventive and healing effects of vibration therapy, the Neuron Activation Pod is not a medical device. However, the process is ongoing and new research data, as well as customer experiences, are being accumulated all the time.

Nevertheless, we want to emphasise that the product is not a substitute for medical treatment prescribed by a doctor, nor does it eliminate the real root cause of musculoskeletal disorders. However, it may well serve as a form of support in addition to medical treatments, for example, to improve sleep quality.

VERSIONS / ADD-ONS



602
NEURON ACTIVATION POD

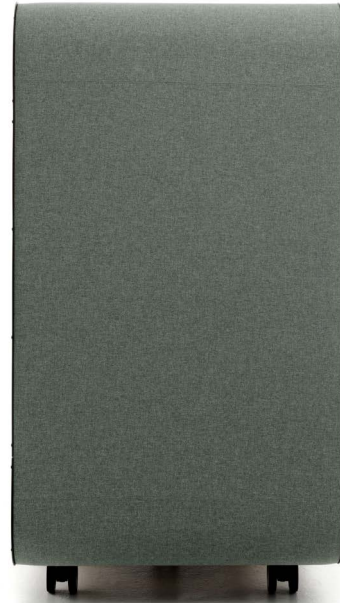


602/602S
NEURON ACTIVATION POD W/ PRIVACY SCREEN

WWW.LOOKINDUSTRIES.COM

Look Industries Ltd. | Kroggårdintie 29 C | 10300 Karjaa | FINLAND | Tel. +358 (0) 40 169 3001 | info@lookindustries.com | VAT No FI23046423

PRODUCT IMAGES



WWW.LOOKINDUSTRIES.COM

Look Industries Ltd. | Kroggårdintie 29 C | 10300 Karjaa | FINLAND | Tel. +358 (0) 40 169 3001 | info@lookindustries.com | VAT No FI23046423